

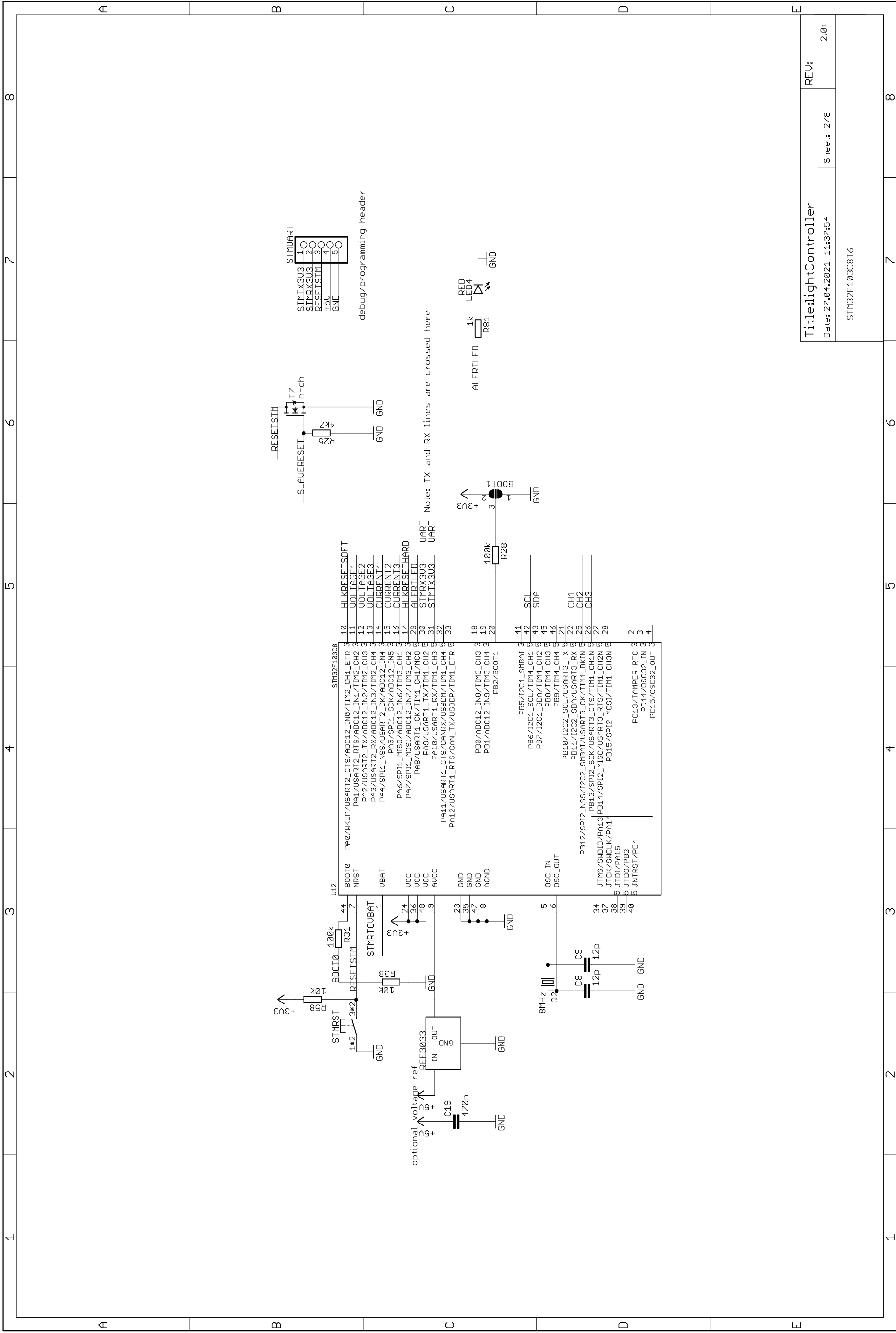
Title:lightController

Date: 27.04.2021 11:37:54

Sheet: 1/8

REV: 2.0t

HLK-7688(7628)



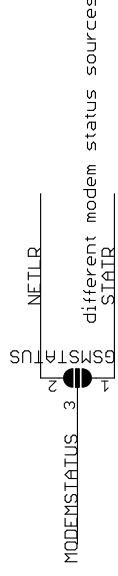
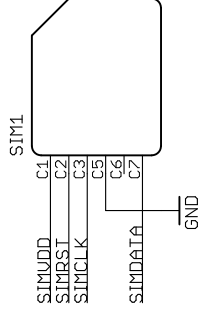
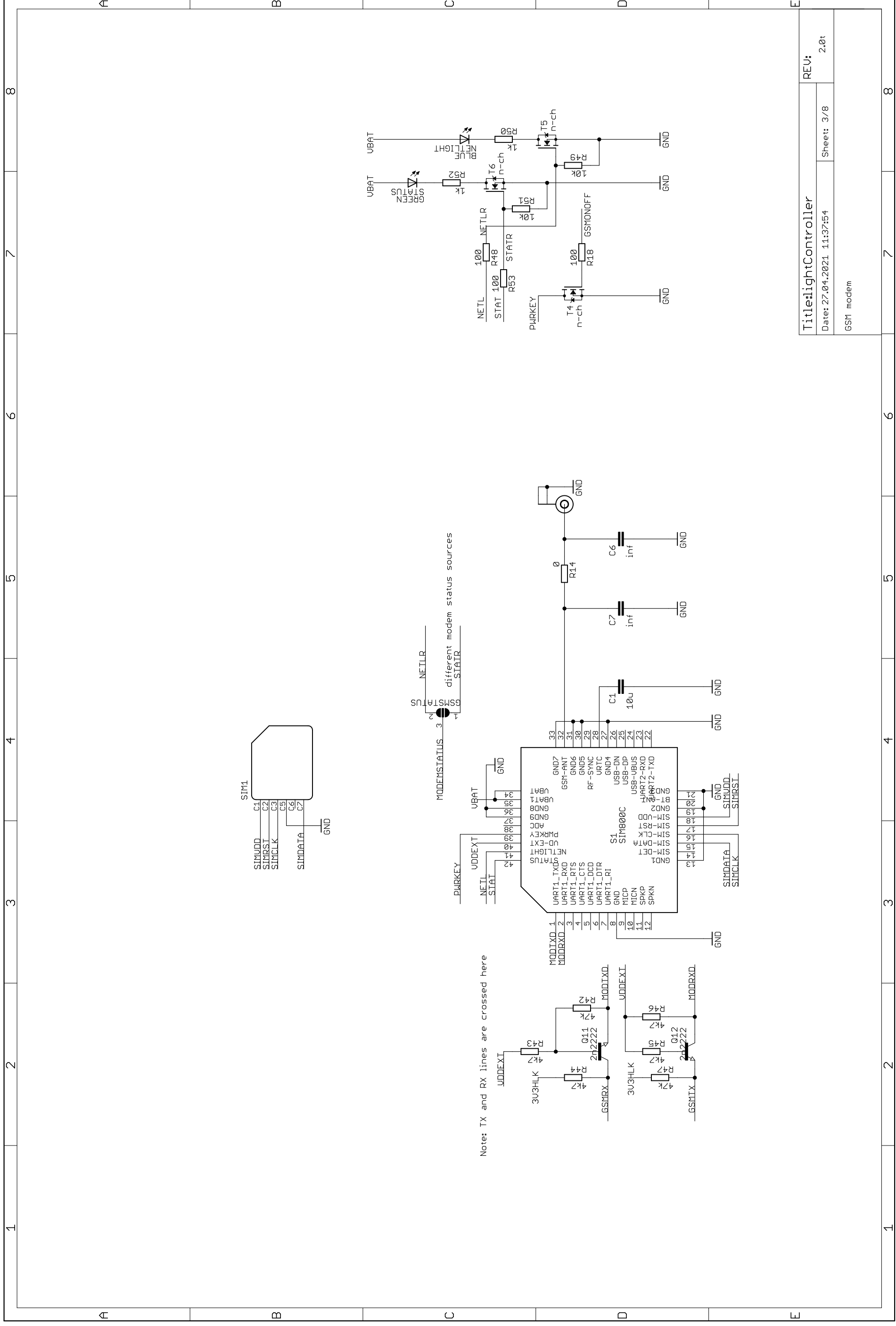
Title:lightController

Date: 27.04.2021 11:37:54

Sheet: 2 / 8

REV: 2.0t

STM32F103C8T6



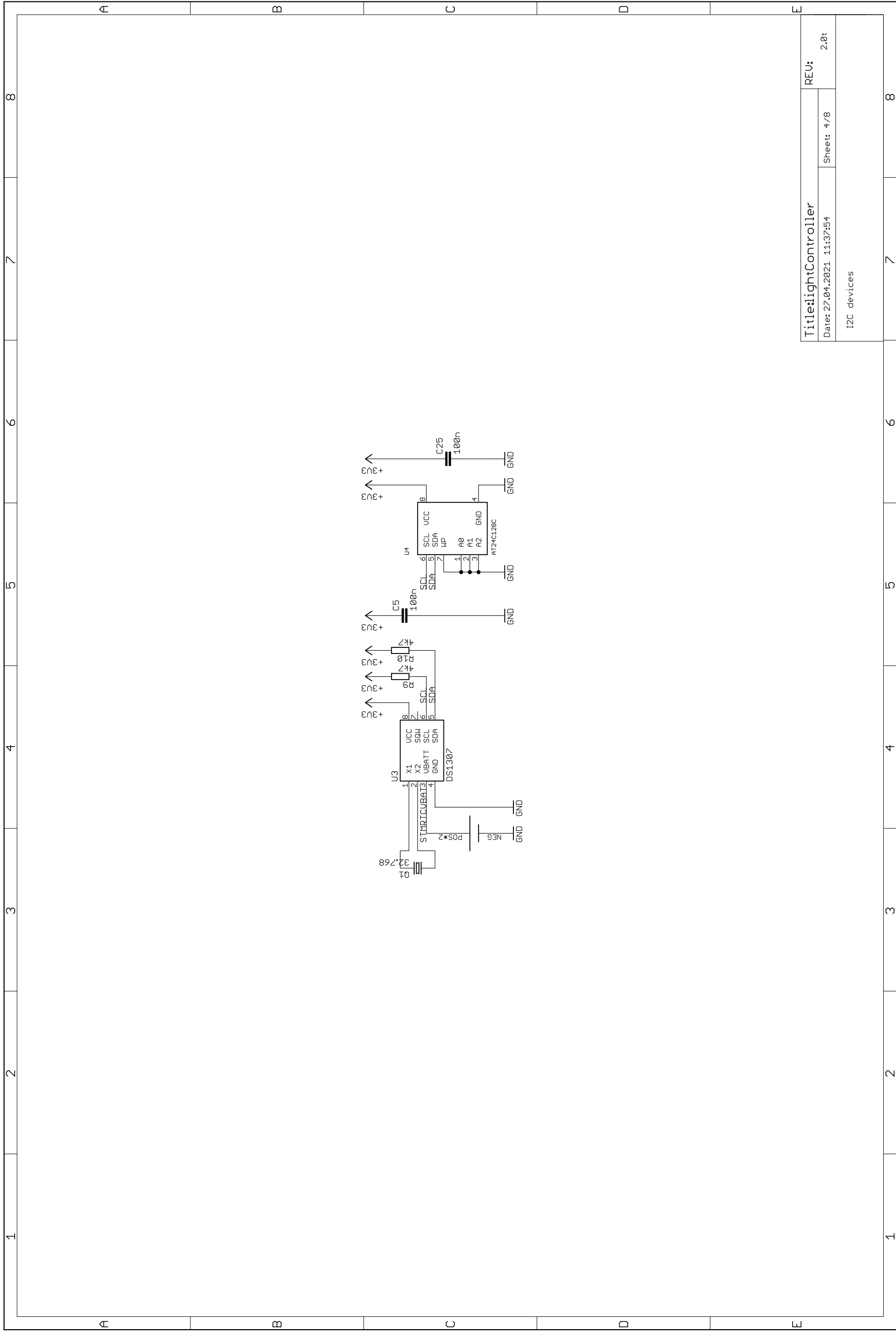
Note: TX and RX lines are crossed here

Title:lightController		REV:
Date:27.04.2021 11:37:54	Sheet: 3/8	2.0t
GSM modem		

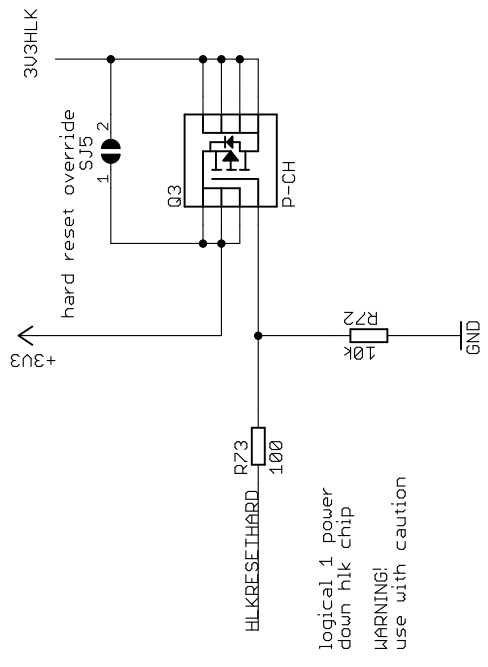
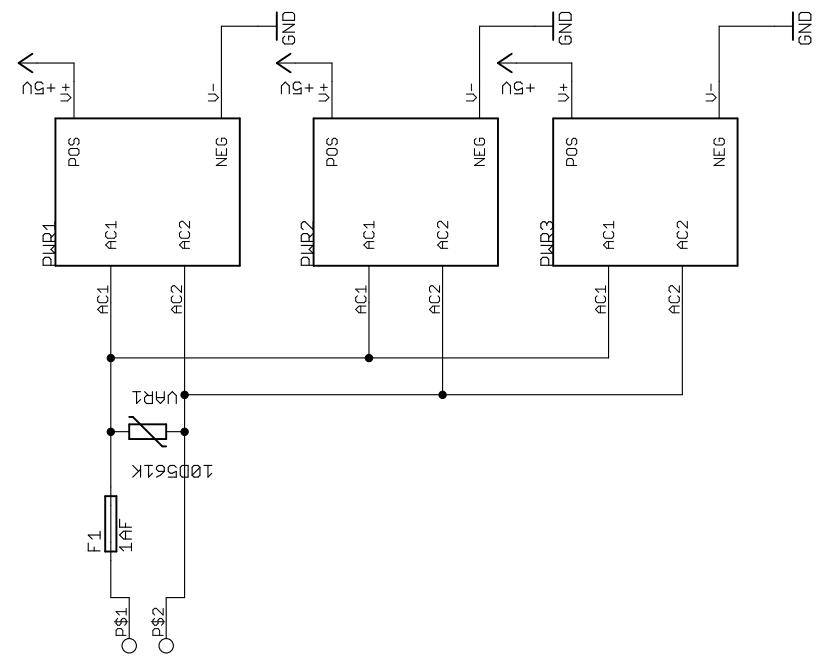
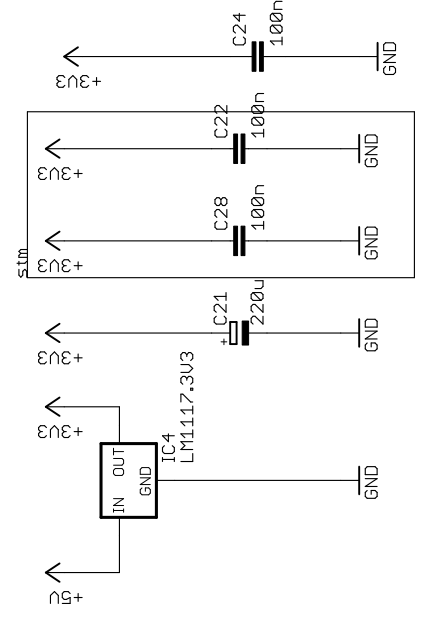
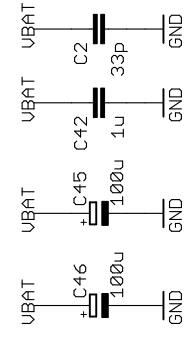
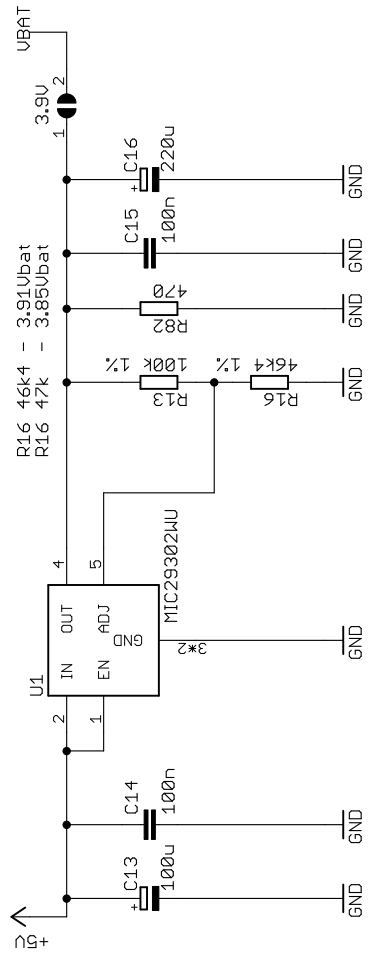
1 2 3 4 5 6 7 8

A B C D E

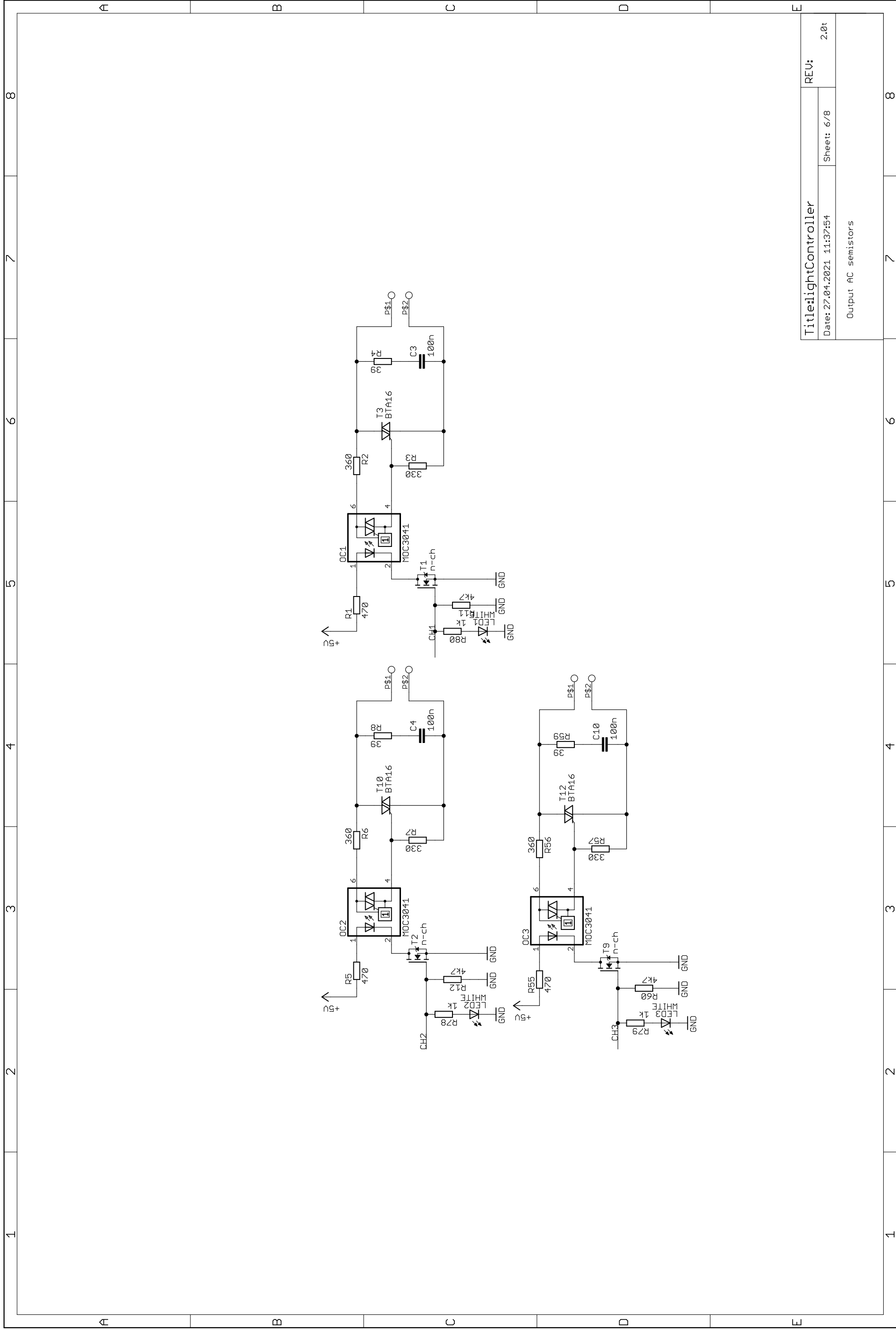
1 2 3 4 5 6 7 8



Title:lightController		REV:
Date:27.04.2021 11:37:54	Sheet: 4/8	2.0t
I2C devices		



Title:lightController		REV:
Date:27.04.2021 11:37:54	Sheet: 5/8	2.0t
Power		



Title: lightController

Date: 27.04.2021 11:37:54

Sheet: 6/8

REV: 2.0t

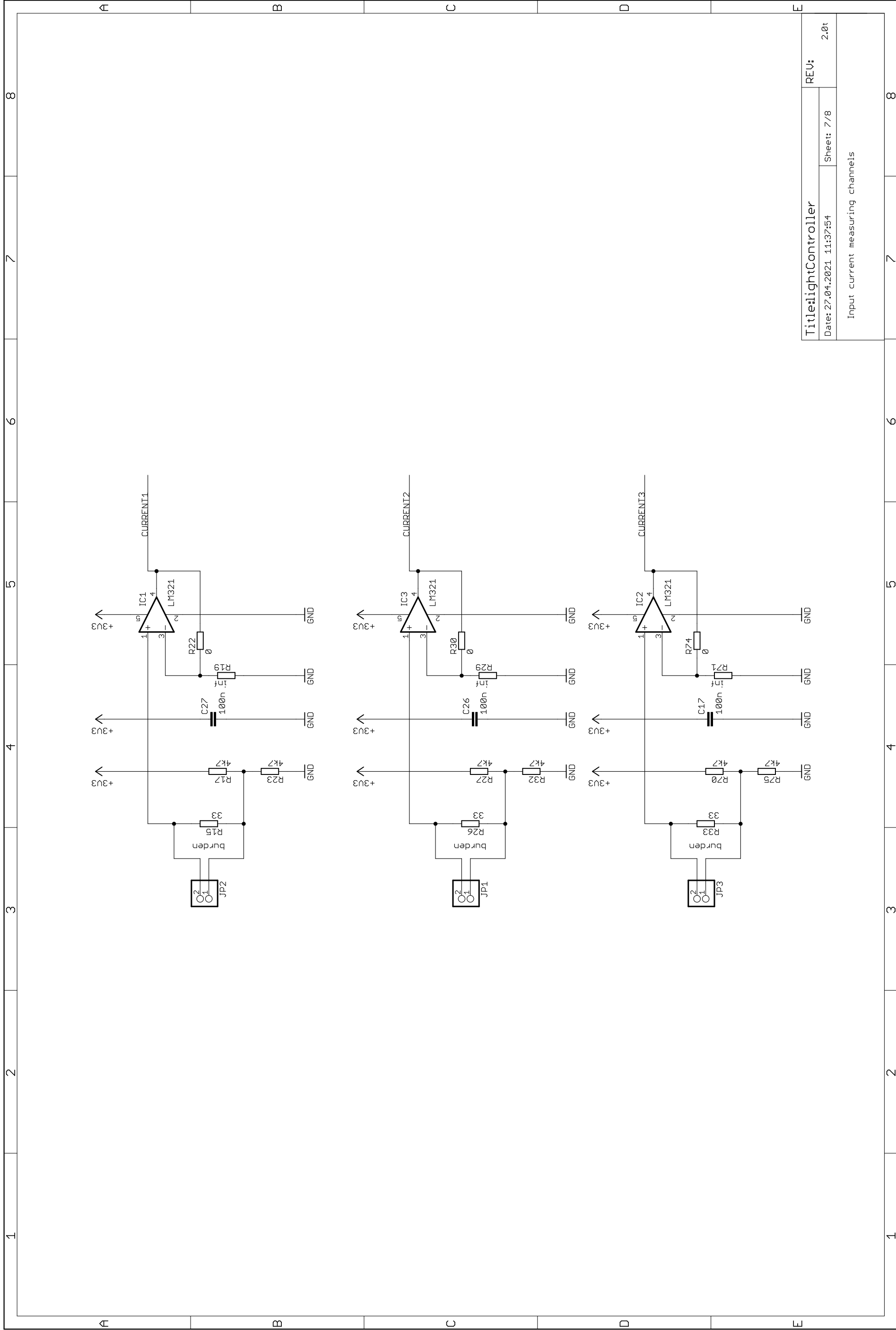
Output AC semistors

1 2 3 4 5 6 7 8

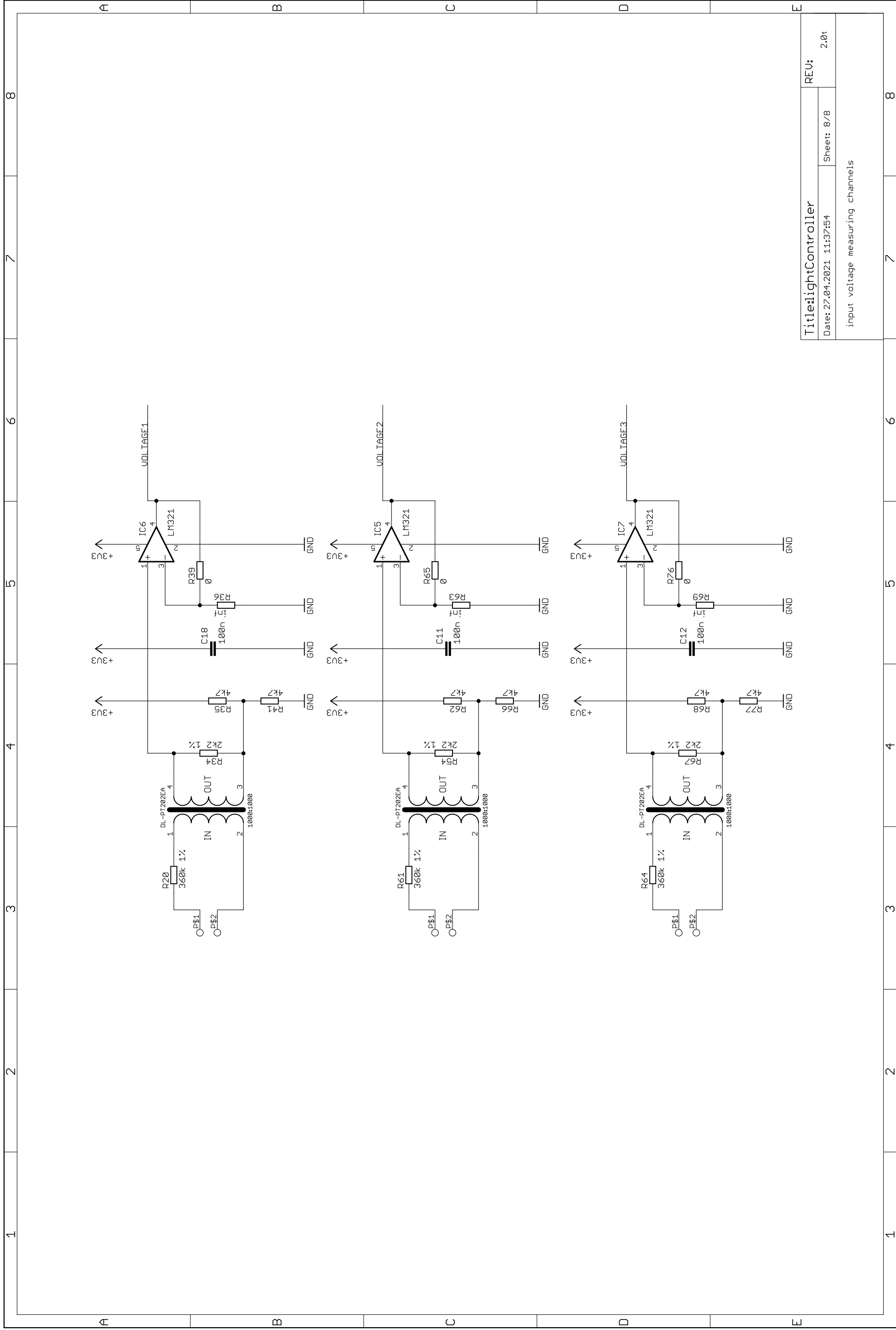
A B C D E

1 2 3 4 5 6 7 8

A B C D E



Title:lightController		REV:
Date:27.04.2021 11:37:54	Sheet: 7/8	2.0t
Input current measuring channels		



Title:lightController

Date:27.04.2021 11:37:54

Sheet: 8/8

input voltage measuring channels

REV:

2.0t

1 2 3 4 5 6 7 8

1 2 3 4 5 6 7 8

A B C D E

A B C D E